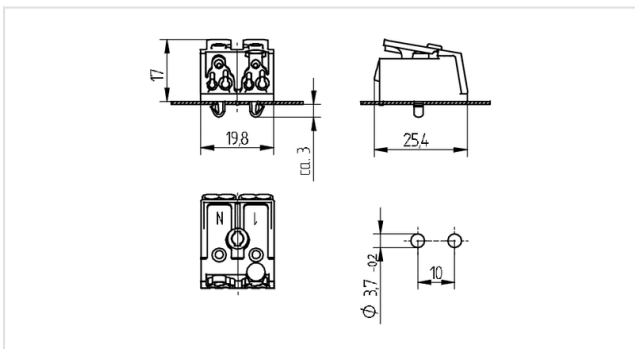




Technik für Licht
Komponenten · Optik · Automation

46.412.1110

Terminal blocks and Connectors
Pushwire terminals 2 pole



Farbe: weiß
FC: 50
Part no.: 46.412.1110.50

16 A
450 V



max. ø 1,8 mm



T 85
-40°C



max. ø 1,8 mm



0,5 - 1,0



Description

- - Internal wiring: only for solid conductors and 7 stranded wire ends
-
-

Product name:	Terminal block 2 poles
Color:	white
Mounting method 1:	Push through mount
Material:	Housing: PC
Marking:	1N
Weight:	6
Quantity of poles:	2
Contact opening:	With integral cable release
Material thickness:	0.5 - 1.0
Pkg.:	500